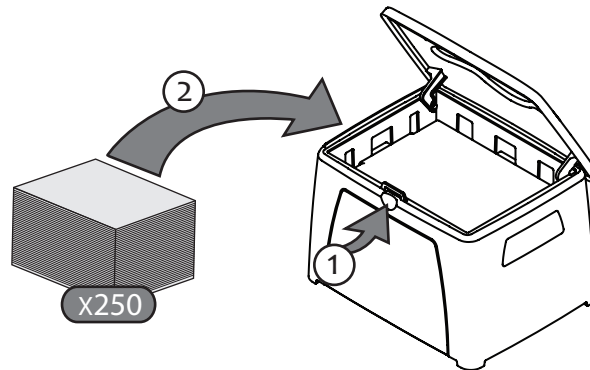




Interfolded Napkin Dispenser, Table Top

Loading:

1. A finger tab is located on one side of the dispenser. Press in and up on the lid to open.
2. Load product by placing unwrapped napkins on spring loaded push plate, shut lid, and start first napkin.

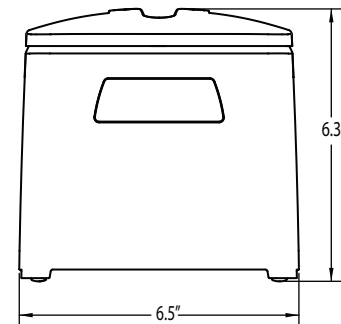
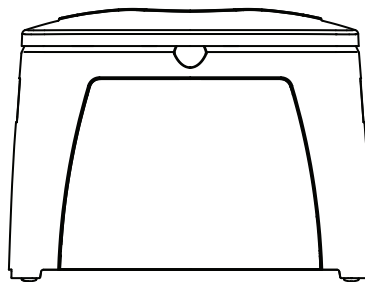
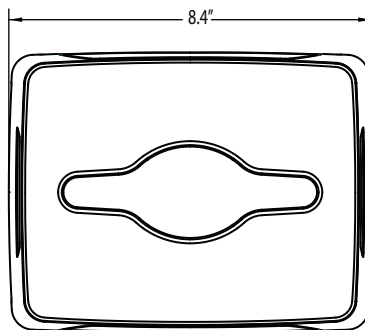
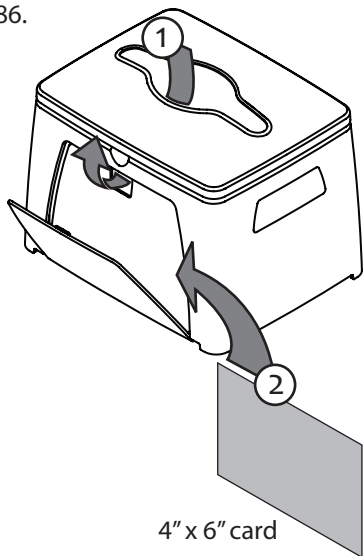


Capacity: 250 interfolded napkins

Use Morcon SKU: 4500VN, 5000VN, 4545VN & 5050VN

Ad Message:

1. Ad window part can be rotated outward to change the 4" x 6" card message. From inside of dispenser, push out at top center.
2. Card stock is compatible with Avery® Template #8386.



Specifications:

The Table Top Napkin Dispenser is designed to accept a wide variety of interfolded napkin products. Its small footprint allows for use in many placements, and the advertisement window allows you to send your custom message to elevate your brand.

Weight:

1.5 lbs. (.68kg)

Overall Dimensions:

Wide: 8.4" (21.3cm)

Height: 6.3" (16.0cm)

Depth: 6.5" (16.5cm)

Care and Cleaning: This dispenser can be cleaned with mild cleaners, soap and water. This dispenser is not dishwasher safe.

AVERY is a trademark of CCL Label, Inc., and Morcon Tissue is not affiliated with CCL, nor does inclusion of the reference to AVERY imply any endorsement from CCL of Morcon Tissue products or services.

More Service. More Value.

